



Compressed Air Filter

Designer-Manufacturer-Exporter-Supplier





Compressed Air Filter

Compressed air is a very common source of energy. For effective utilization of compressed air, it has to be clean. Filter Concept offers a range of compressed air filters for removal of dirt, dust, rust, condensates, moisture contents, oil impurities & exhaust fumes. Filtered compressed air results into low down time & reduces the production loss. These filtration systems are designed based on their flow requirement, line size, working pressure, working temperature & level of filtration rating. Filter housings can be made of SS 316, SS 304, carbon steel or aluminum. Filter elements are made of varieties of selective fiber media to ensure desired filtration level.

Operation

Unfiltered compressed air enters in to filtration systems with positive pressure & passes through selective filter media to remove dirt, dust, and moisture & oil contaminants.

These filters are further classified in 3 different categories

- Particle removal filter (for removal of dirt, dust, rust & other metal particles up to 1 micron)
- High efficiency filter (for removal of oil & moisture contents and fine particles up to 0.01 micron)
- Carbon filter (for removal of oil vapour, test & odour)

Features & Benefits

- High flow rate
- Low pressure drop due to pleated configuration
- High efficiency due to surface filtration
- Reduction in downtime & maintenance
- Easy to install & remove
- Choice of filter media & filter housings

Technical Specifications

Capacity

- Up to 95,000 NM³/hr & more

MOC of System

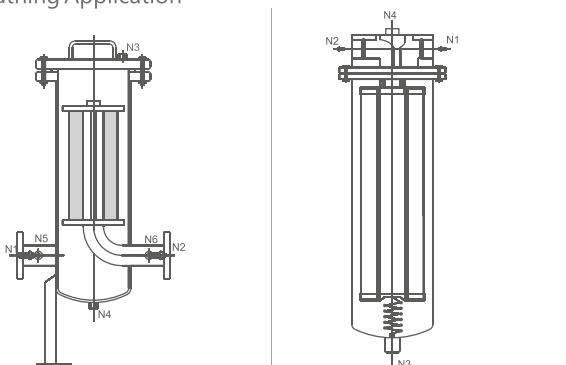
- SS 316, SS 304, MS/CS, Aluminum

MOC of Element

- SS 316L sintered media
- Sintered ceramic
- Sintered polyethylene
- Activated carbon
- Synthetic fiber media
- Borosilicate glass fiber

Applications

- Pharmaceuticals
- Chemicals
- Food & Beverages
- Steel & Power
- Cement
- Breathing Application



Compressed Air Filter Element Equivalent To

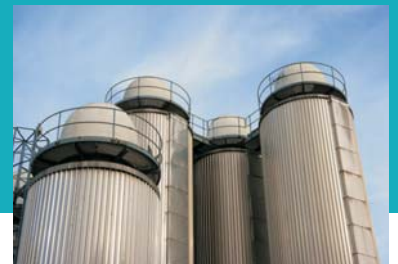
Sr. No.	Our Part No.	OEM Part No.
1	FCI - 6343	1202625501
2	FCI - 6240	1202625903
3	FCI - 6188	1202625904
4	FCI - 6223	291019200DD
5	FCI - 6222	2901019700PD
6	FCI - 6195	2901053200DD
7	FCI - 6230	2901053300PD
8	FCI - 6295	2901053400QD
9	FCI - 6209	290105300DD
10	FCI - 6281	2901053600PD
11	FCI - 6340	2901054400
12	FCI - 6341	2901054500
13	FCI - 6281	2901122100
14	FCI - 6293	290112210PD
15	FCI - 6292	2901122300DD

Compressed Air Filter Element Equivalent To

Sr. No.	Our Part No.	OEM Part No.
1	FCIDH009AO	K009AO
2	FCIDH009AA	K009AA
3	FCIDH017AO	K017AO
4	FCIDH017AA	K017AA
5	FCIDH030AO	K030AO
6	FCIDH030AA	K030AA
7	FCIDH058AO	K058AO
8	FCIDH058AA	K058AA
9	FCIDH145AO	K145AO
10	FCIDH145AA	K145AA
11	FCIDH220AO	K220AO
12	FCIDH220AA	K220AA
13	FCIDH330AO	K330AO
14	FCIDH330AA	K330AA

Compressed Air Filter Element Equivalent To OEM Part No.

Sr. No.	PE	FF	MF	SMF	AK
1	02/05	02/05	02/05	02/05	02/05
2	03/05	03/05	03/05	03/05	03/05
3	03/10	03/10	03/10	03/10	03/10
4	04/10	04/10	04/10	04/10	04/10
5	04/20	04/20	04/20	04/20	04/20
6	05/20	05/20	05/20	05/20	05/20
7	05/25	05/25	05/25	05/25	05/25
8	07/25	07/25	07/25	07/25	07/25
9	07/30	07/30	07/30	07/30	07/30
10	10/30	10/30	10/30	10/30	10/30
11	15/30	15/30	15/30	15/30	15/30
12	20/30	20/30	20/30	20/30	20/30
13	30/30	30/30	30/30	30/30	30/30



Designed By: e-brandstudio.com

Filter Concept Pvt. Ltd.

(An ISO 9001:2008, ISO 14001:2004, OHSAS 18001:2007 Certified Company)

Corporate Office

302, "Aalin", Opp.Gujarat Vidhyapith,
B/h. Jet Airways Office, Ashram Road, Ahmedabad - 14.
Gujarat, INDIA.

Phone : +91-79-2754 1602, 2754 0069, 3291 8518

Fax : +91-79-2754 0801

E-mail : info@filter-concept.com

Manufacturing Unit

A-6, Pushparaj Industrial Estate,
Nutan Mill Compound, B/h. City-Gold Theatre, Saraspur,
Ahmedabad-380018. Gujarat, INDIA.

Phone : +91 -79 -2220 1921, 2220 1292

Fax : +91-79-2220 1911

E-mail : factory@filter-concept.com